

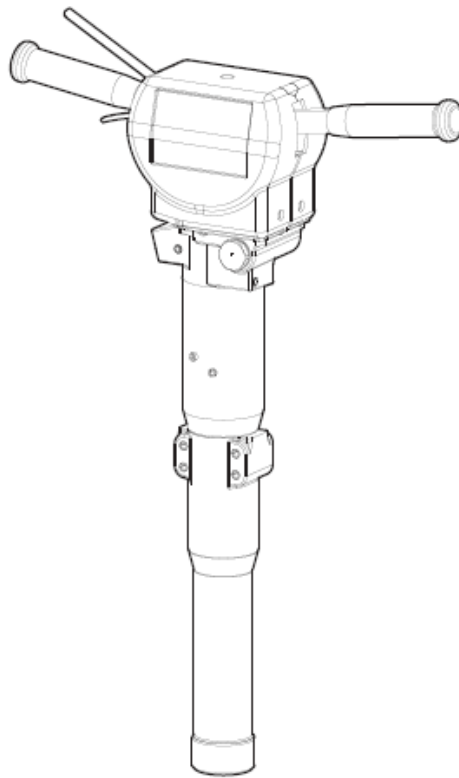
# LH 280 E SD

---



## Spare Parts List Hydraulic Spike Driver

LH 280 E SD



**TECHBUD**



# General information

This spare parts list applies to the following:

Part number	Description
1801364373	LH 280 E SD

Use only authorized parts. Any damage or malfunction caused by the use of unauthorized parts is not covered by Warranty or Product Liability. Any unauthorized use or copying of the contents or any part thereof is prohibited. This applies in particular to trademarks, model denominations, part numbers, and drawings.

## Instructions for use

This spare parts list contains no safety regulations and is merely intended to assist in the ordering of spare parts.

For information about operating, servicing, or repairing, the relevant Safety and operating instructions must be consulted at all costs.

Please observe the safety instructions listed in the relevant Safety and operating instructions!

# General information

This spare parts list applies to the following:

Part number	Description
1801364373	Handheld hydraulic spike driver LH 280 E SD

Use only authorized parts. Any damage or malfunction caused by the use of unauthorized parts is not covered by Warranty or Product Liability. Any unauthorized use or copying of the contents or any part thereof is prohibited. This applies in particular to trademarks, model denominations, part numbers, and drawings.

## Instructions for use

This spare parts list contains no safety regulations and is merely intended to assist in the ordering of spare parts.

For information about operating, servicing, or repairing, the relevant Safety and operating instructions must be consulted at all costs.

Please observe the safety instructions listed in the relevant Safety and operating instructions!

Kits/Consumables LH 280 E SD ..... 1

**Spare parts list**

LH 280 E SD ..... 3  
Nose part spike driver ..... 7  
Handle standard ..... 9  
E-handle ..... 11

**Tightening torque**

Tightening torque ..... 13

**Accessories**

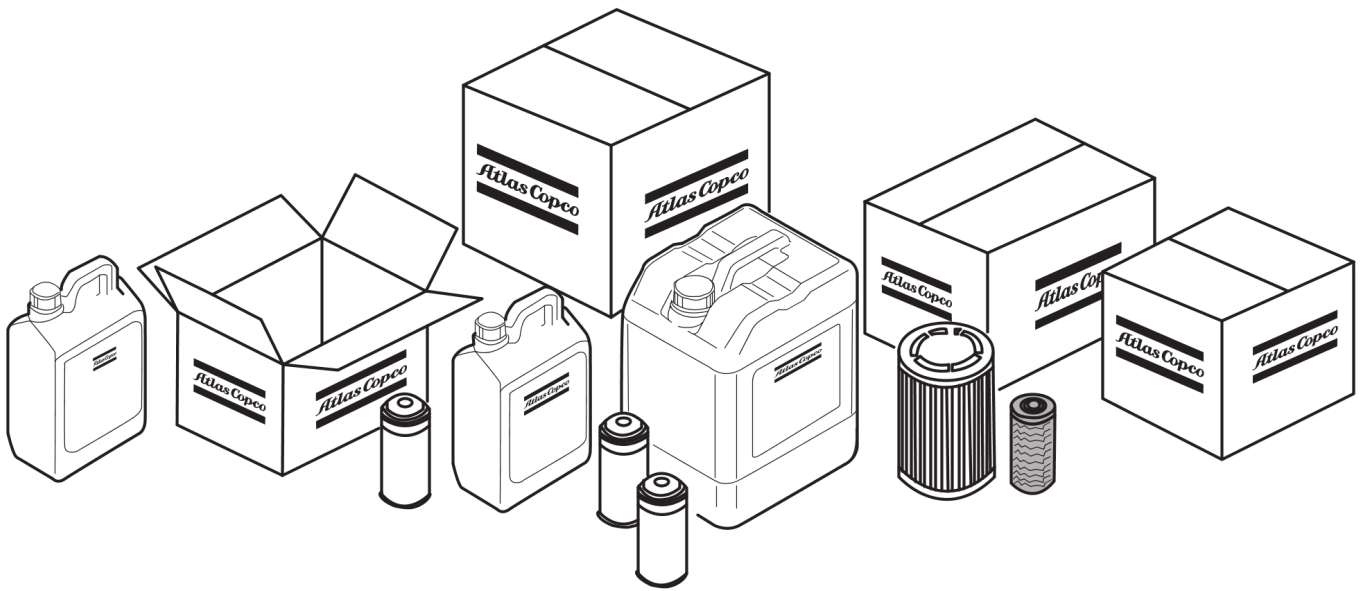
Hoses and couplings ..... 15  
Hoses and couplings ..... 17

**Kits**

Label kit ..... 19  
Seal kit ..... 21  
Trigger valve kit ..... 23  
Accumulator kit ..... 25  
3310101845\_Accumulator repair kit ..... 27



Kits/Consumables LH 280 E SD



Refer to Parts Online for the most up to date information. The printed information might be outdated.

Thu Feb 13 12:57:09 UTC 2020

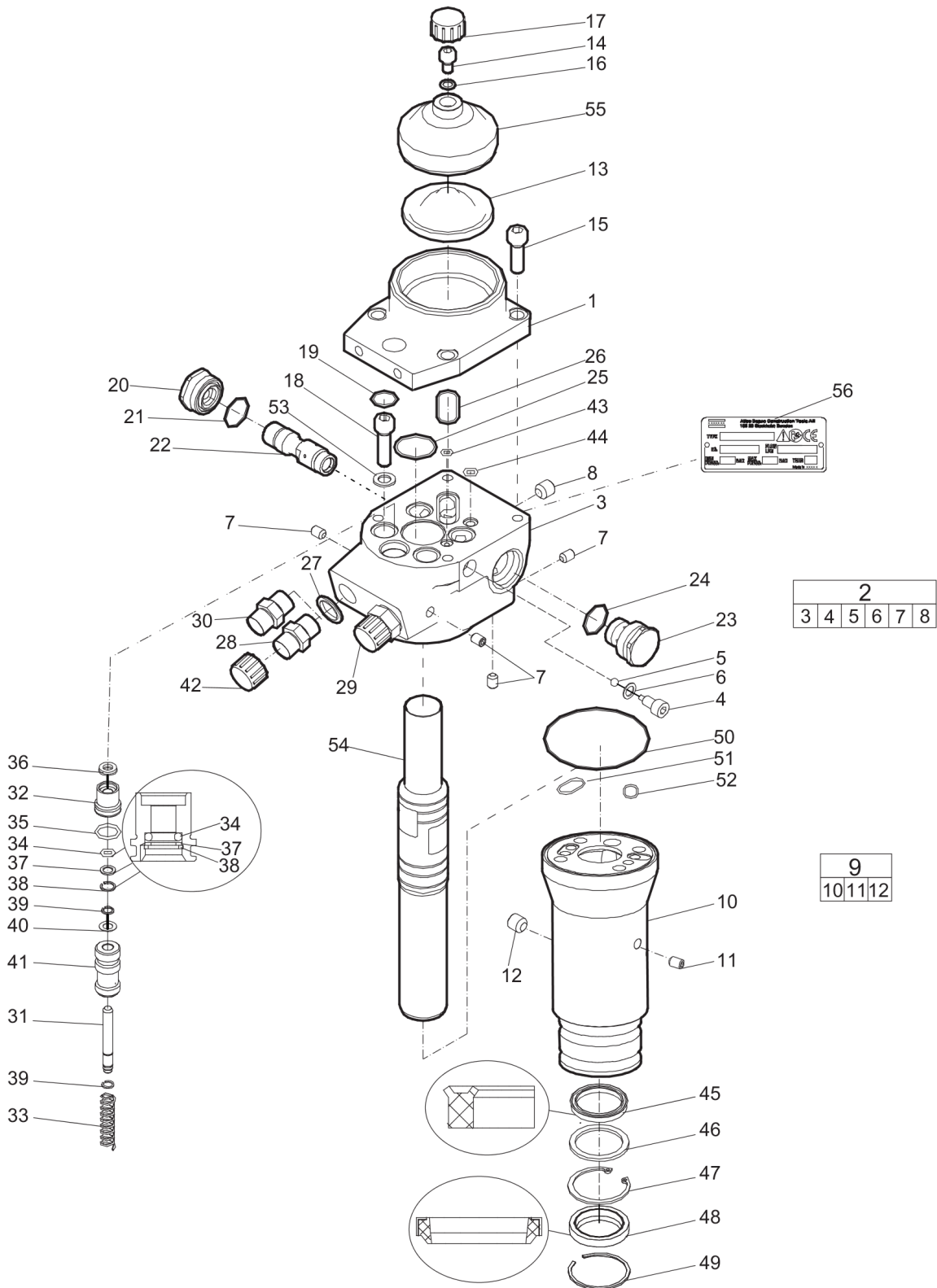
Item	Part No.	Name	Qty	L
1	3371821097	Label kit	1	
2	3371820089	Seal kit	1	
3	3371820053	Trigger valve kit	1	
4	3371814051	Accumulator kit	1	

---

Refer to Parts Online for the most up to date information. The printed information might be outdated.

Thu Feb 13 12:57:09 UTC 2020

**Spare parts list LH 280 E SD**



Refer to Parts Online for the most up to date information. The printed information might be outdated.

Thu Feb 13 12:57:10 UTC 2020



Item	Part No.	Name	Qty	L
-	3371818012	28-32 lpm.7.4-8.4 gpm. - 4.2 mm.	-	A
-	3371818122	33-36 lpm.8.7-9.5 gpm. - 5.2 mm.	-	B
1	3371821027	Accumulator body	1	
-	3371815135	37-40 lpm.9.8-10.6 gpm. - None	-	C
2	3371821026	Valve housing, complete	1	
3	3371821073	Valve housing	1	
4	3371820115	Check valve screw	1	
5	3371820717	Ball	1	
6	3371820718	Seal ring	1	
7	3371814733	Fitting	5	
8	3371813141	Fitting	2	
9	3371821029	Cylinder, complete	1	
10	--	Cylinder	1	
11	3371814733	Fitting	1	
12	3371813141	Fitting	1	
13	3371814052	Diaphragm	1	
14	3371813103	Charging screw	1	
15	3371817720	Screw	4	
16	3371814709	Seal ring	1	
17	3371813710	Protective cap M24 x 1.5 mm	1	
18	3371814723	Screw	4	
19	3371820703	O-ring Ø 0.71 x 0.08 in. Ø 18 x 2 mm	4	
20	3371820267	Spool socket	1	
21	3371820702	O-ring Ø 0.94 x 0.06 in. Ø 24 x 1.5 mm	1	
22	3371820265	Spool	1	
23	3371820266	Guide socket	1	
24	3371820762	O-ring Ø 0.99 x 0.07 in. Ø 25.1 x 1.8 mm	1	
25	3371820704	O-ring Ø1.18 x 0.08 in. Ø 30 x 2 mm	1	
26	3371820705	O-ring Ø 1.26 x 0.08 in. Ø 32 x 2 mm	1	
27	3371805714	Seal ring 1/2"	2	
28	3371815135	37-40 lpm.9.8-10.6 gpm. - None	1	
29	3371815135	37-40 lpm.9.8-10.6 gpm. - None	1	
30	3371818012	28-32 lpm.7.4-8.4 gpm. - 4.2 mm.	1	
31	3371820136	Trigger rod	1	
32	3371814120	Packing gland	1	

Refer to Parts Online for the most up to date information. The printed information might be outdated.

Thu Feb 13 12:57:10 UTC 2020

This page intentionally left blank

Item	Part No.	Name	Qty	L
33	3371820137	Spring	1	
34	3371814700	O-ring Ø 0.33 x 0.09 in. Ø 8.3 x 2.4 mm	1	
35	3371814702	O-ring Ø 0.64 x 0.09 in. Ø 16.3 x 2.4 mm	1	
36	3371805503	Seal Ø 0.71 x 0.55 x 0.14 x 0.20 in. Ø 18 x 14 x 3.5 x 5 mm	1	
37	3371814701	Back-up ring	1	
38	3371814712	Circlip	1	
39	3371814732	Circlip	2	
40	3371820700	Shim PS 0.31 x 0.55 x 0.02 in. PS 8 x 14 x 0.5 mm	1	
41	3371820108	Trigger spool	1	
42	3371813709	Protective cap 1/2 in. BSP	2	
43	3371817757	O-ring Ø 0.24 x 0.08 in. Ø 6 x 2 mm	1	
44	3376100084	O-ring Ø 0.31 x 0.08 in. Ø 8 x 2 mm	1	
45	3371820176	Seal Ø 1.26 x 1.57 x 0.24 in. Ø 32 x 40 x 6 mm	1	
46	3371820167	Back-up washer Ø 1.29 x 1.77 x 0.10 in. Ø 32.7 x 45 x 2.5 mm	1	
47	3371820727	Locking ring	1	
48	3371820708	Wiper Ø 1.26 x 1.77 x 0.28 x 0.39 in. Ø 32 x 45 x 7 x 10 mm	2	
49	3371820740	Locking ring	2	
50	3371820725	O-ring Ø 3.23 x 0.06 in. Ø 82 x 1.5 mm	1	
51	3371820726	O-ring Ø 0.63 x 0.06 in. Ø 16 x 1.5 mm	1	
52	3371814749	O-ring Ø 0.51 x 0.06 in. Ø 13 x 1.5 mm	1	
53	3371815735	Back-up washer	4	
54	3371821116	Piston	1	
55	3371814066	Part Description Not Available	1	
56	-	Data plate (Not available separately)	1	

Comments for Page: LH 280 E SD

T-Connection P-Connection

(L)OCAL REMARKS

A | 3371 8180 13

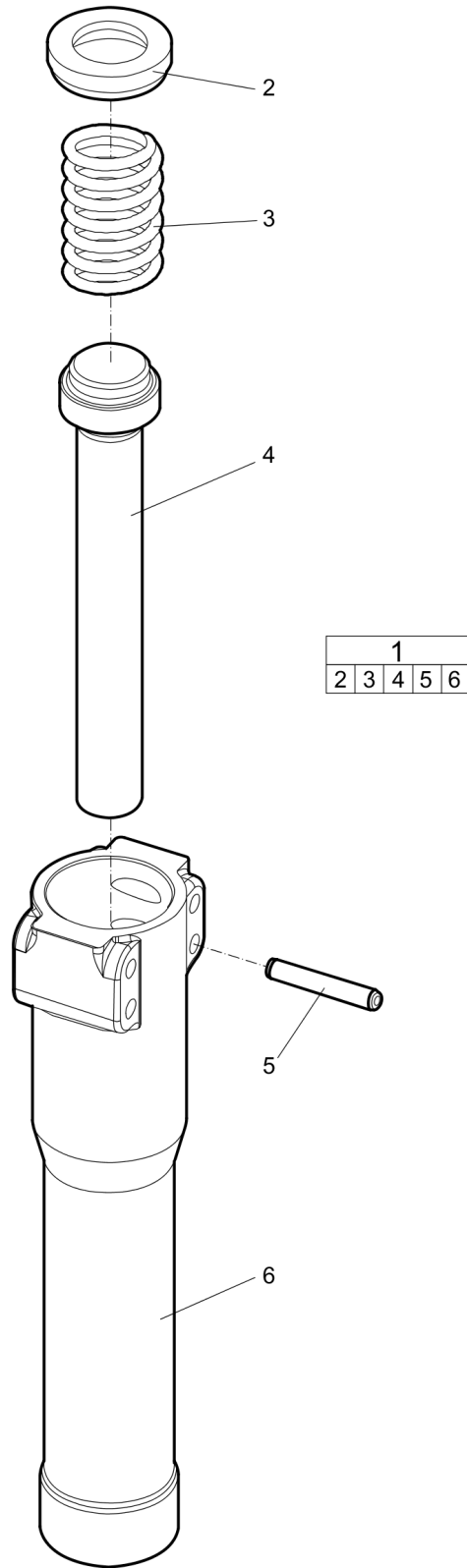
B | 3371 8181 20

C | 3371 8057 11

Refer to Parts Online for the most up to date information. The printed information might be outdated.

Thu Feb 13 12:57:11 UTC 2020

**Spare parts list** Nose part spike driver



Refer to Parts Online for the most up to date information. The printed information might be outdated.

Thu Feb 13 12:57:11 UTC 2020

Item	Part No.	Name	Qty	L
1	3371821074	Nose part, complete	1	

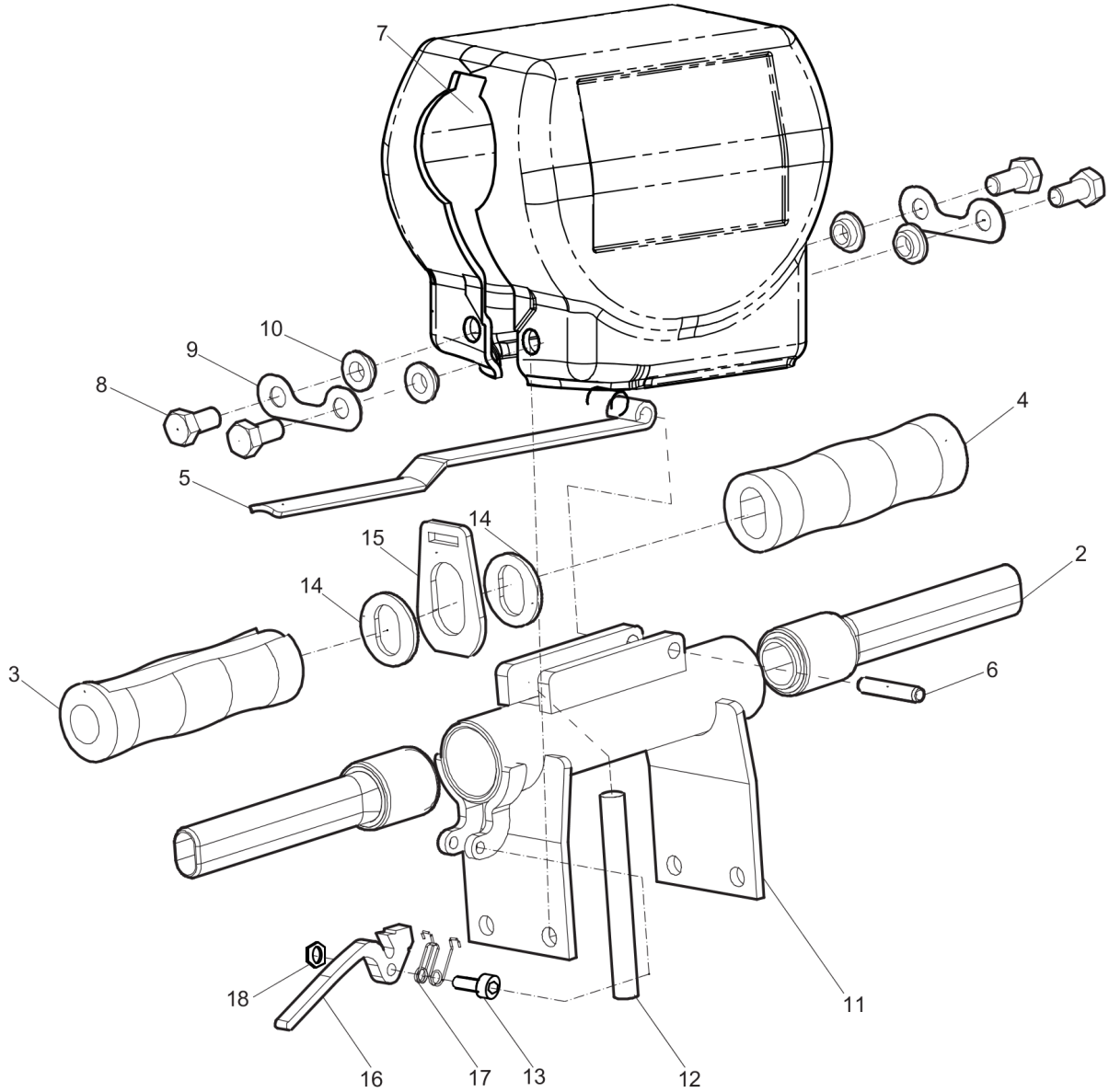
Comments for Page: Nose part spike driver

(L)OCAL REMARKS

A | Spike driver

**Spare parts list** Handle standard

1																	
2	3	4	5	6	7	8	9	10	11	12	13	14	15	16	17	18	



Refer to Parts Online for the most up to date information. The printed information might be outdated.

Thu Feb 13 12:57:13 UTC 2020

Item	Part No.	Name	Qty	L
1	3371821208	Handle standard, complete	1	A
2	3371820204	Handle standard	2	
3	3371820135	Rubber handle	1	
4	3371820134	Rubber handle	1	
5	3371820238	Trigger Standard	1	B
6	0108136100	Roll pin, Ø 0.31 x 1.6 in., Ø 8 x 40 mm	1	
7	3371821202	Top cover	1	
8	3371815722	Screw M10x20	4	
9	3371815131	Nab	2	
10	3371815113	Spacer	4	
11	3371820203	Bracket	1	
12	3371820207	Nylon guide	1	
13	0211125003	Screw, M6 x 30 mm	1	
14	3371820747	Washer nylon Ø 0.83 x 1.46 x 0.12 in. Ø 21 x 37 x 3 mm	2	
15	3371820237	Lock plate	1	
16	3371820236	Safety trigger	1	
17	3371820152	Spring	1	
18	0291110800	Lock nut	1	

Comments for Page: Handle standard

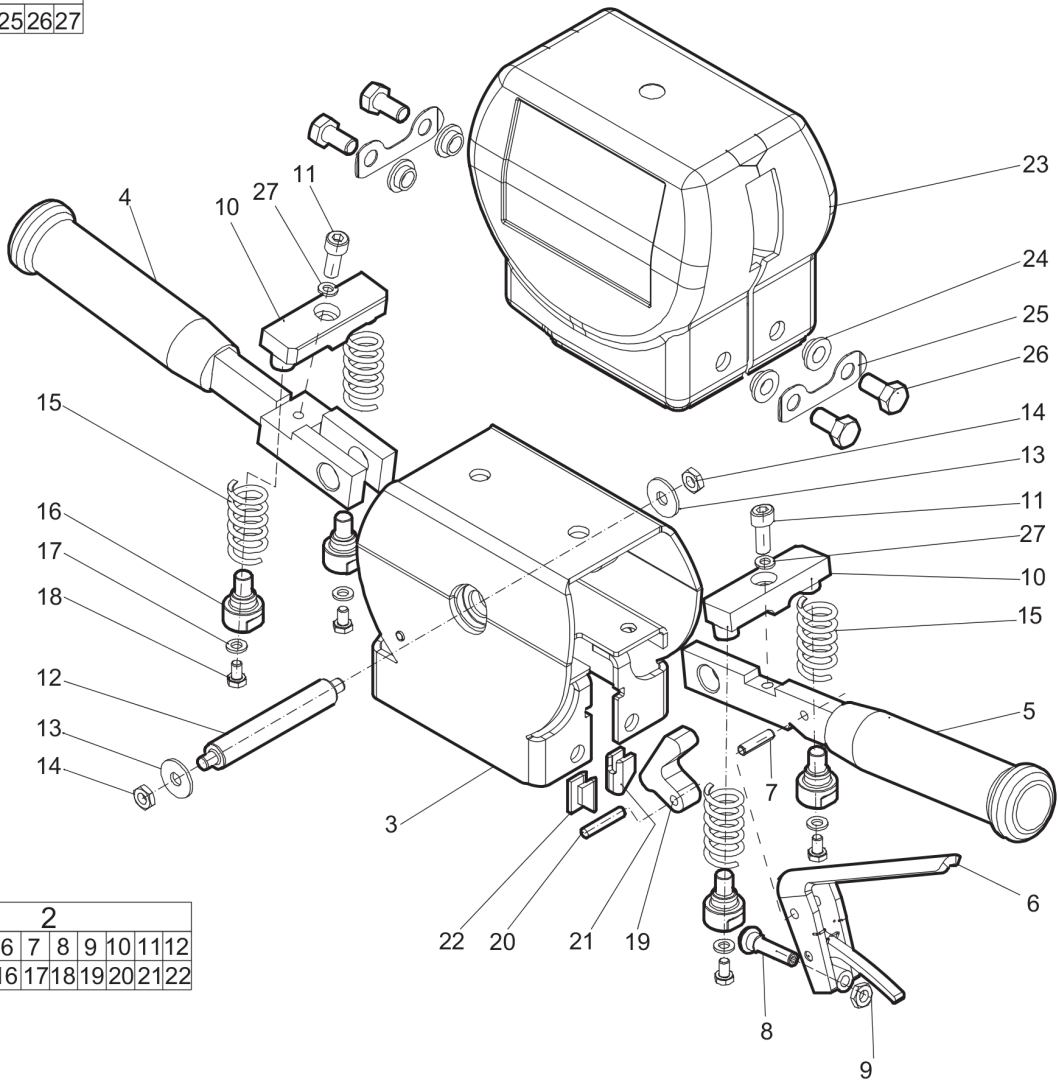
(L)OCAL REMARKS

A | With plastic cover

B | Standard

**Spare parts list E-handle**

1						
2	23	24	25	26	27	



2											
3	4	5	6	7	8	9	10	11	12	13	14
13	14	15	16	17	18	19	20	21	22	23	24

Refer to Parts Online for the most up to date information. The printed information might be outdated.

Thu Feb 13 12:57:14 UTC 2020



Item	Part No.	Name	Qty	L
1	3371821206	E-handle, complete	1	A
2	3371821065	VR-handle, complete Without plastic cover	1	B
3	3371821205	Frame	1	
4	-	Handle	1	
5	-	Handle	1	
6	3371821200	Trigger lever	1	
7	3371820712	Roll Pin Ø 0.24 x 0.94 in.Ø 6 x 24 mm	1	
8	3371821068	Thrust pad With screw M8	1	
9	3371820722	Nut M8	1	
10	3371821177	Stopper	2	
11	3371805155	Screw M8x25	2	
12	3371821184	Pin	1	
13	3377104008	Washer, Ø 0.31 in., Ø 8 mm	2	
14	3371820722	Nut M8	2	
15	3371821178	Spring	4	
16	3371821175	Spring guide	4	
17	3377000407	Washer ø6	4	
18	3371817724	Screw	4	
19	3371821176	Trigger pawl	1	
20	3371820711	Pin Ø 0.24 x 1.18 in.Ø 6 x 30 mm	1	
21	3371820147	Pin latch right	1	
22	3371820148	Pin latch left	1	
23	3371821183	Top cover	1	
24	3371815113	Spacer	4	
25	3371815131	Nab	2	
26	3378034102	Screw M10 x 25 mm	4	
27	3315019504	Lock washer	2	

Comments for Page: E-handle

(L)OCAL REMARKS

A | With plastic cover

B | Without plastic cover

Refer to Parts Online for the most up to date information. The printed information might be outdated.

Thu Feb 13 12:57:15 UTC 2020

**Tightening torque** Tightening torque

NO EXPLODED VIEW  
AVAILABLE  
FOR THIS BOM

Item	Part No.	Name	Qty	L
-	3371817720	Screw	-	A
-	3371814723	Screw	-	B
-	3371820266	Guide socket	-	C
-	3371821113	Guide socket HBP	-	D
-	3371820267	Spool socket	-	E
-	3371805711	Nipple	-	F
-	3371814733	Fitting	-	G
-	3371813141	Fitting	-	H
-	3371820191	Bushing	-	I
-	3371814724	Screw	-	J
-	3371820218	Bushing	-	K
-	3371820212	Bushing	-	L
-	3371820194	Bushing	-	M
-	3371813103	Charging screw	-	N

Comments for Page: Tightening torque

LOCTITE is a registered trademark of Henkel Corporation. 245, 275, 648 are trademarks of Henkel Corporation.

(L)OCAL REMARKS

A | LOCTITE® 245™

B | LOCTITE® 245™

C | LOCTITE® 245™

D | LOCTITE® 245™

E | LOCTITE® 245™

F | -

G | LOCTITE® 245™

H | LOCTITE® 245™

I | LOCTITE® 648 (275)™

J | LOCTITE® 245™

K | LOCTITE® 648 (275)™

L | LOCTITE® 648 (275)™

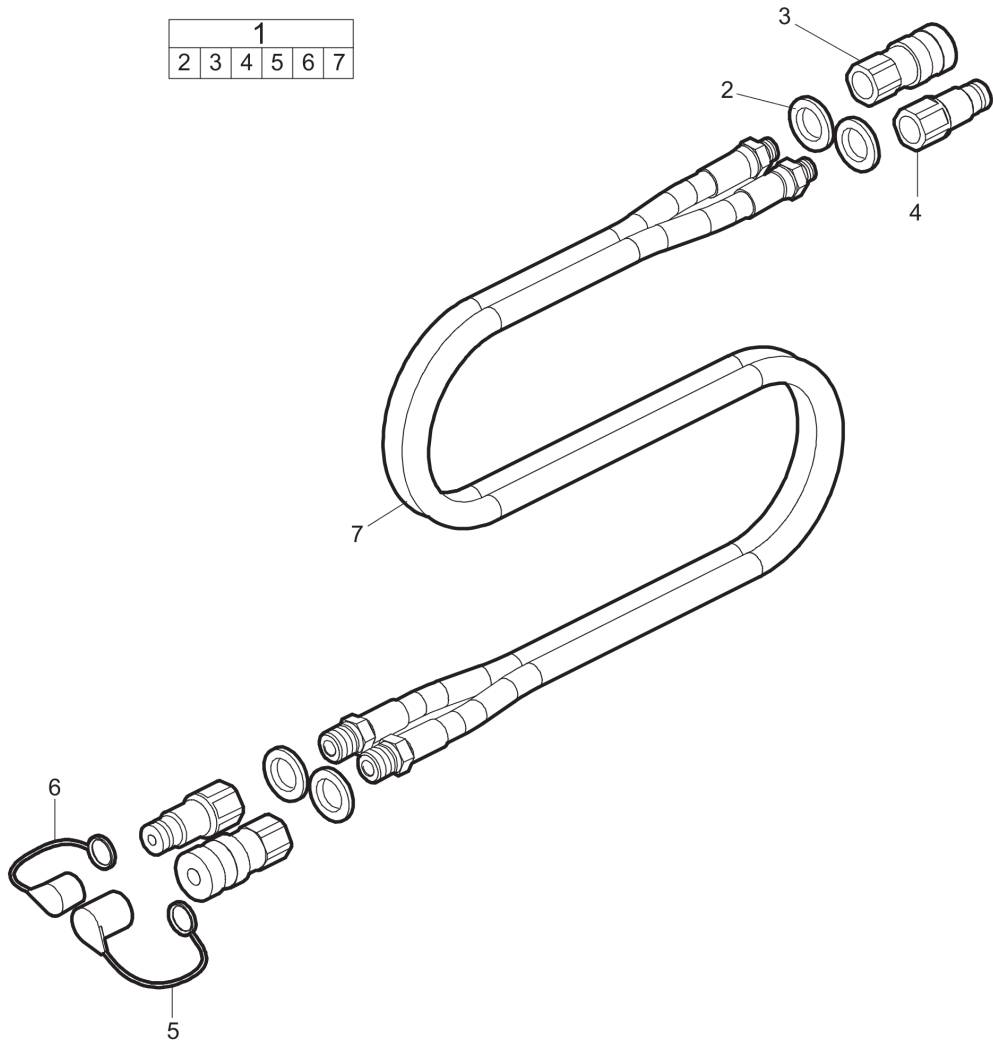
M | LOCTITE® 648 (275)™

N | -

Refer to Parts Online for the most up to date information. The printed information might be outdated.

Thu Feb 13 12:57:16 UTC 2020

**Accessories** Hoses and couplings



Refer to Parts Online for the most up to date information. The printed information might be outdated.

Thu Feb 13 12:57:16 UTC 2020

Item	Part No.	Name	Qty	L
1	3371801087	Twin extension hose complete Incl. Fig. No. 200-207	1	

---

Refer to Parts Online for the most up to date information. The printed information might be outdated.

Thu Feb 13 12:57:16 UTC 2020

**Accessories** Hoses and couplings

NO EXPLODED VIEW  
AVAILABLE  
FOR THIS BOM

Item	Part No.	Name	Qty	L
1	3371801186	Connection hose, complete	1	
-	3371803073	Hose, Ø 1/2 in. L = 16 in., Ø 12.5 mm L = 0.4 m, 3/4 unf	2	
-	3371805160	Quick-release coupling, Female 1/2 in. 3/4 unf	1	
-	3371805161	Quick-release coupling, Male 1/2 in. 3/4 unf	1	
-	3371805733	Protective cap 1/2" female	1	B
-	3371805732	Protective cap For ½" male QRC	1	C
Not Shown	-	Adaptors	1	D
-	3371805711	Nipple	1	
-	3371818013	Nipple, optional (T) For 25 lpm 1/2 in. BSP	1	

Refer to Parts Online for the most up to date information. The printed information might be outdated.

Thu Feb 13 12:57:16 UTC 2020

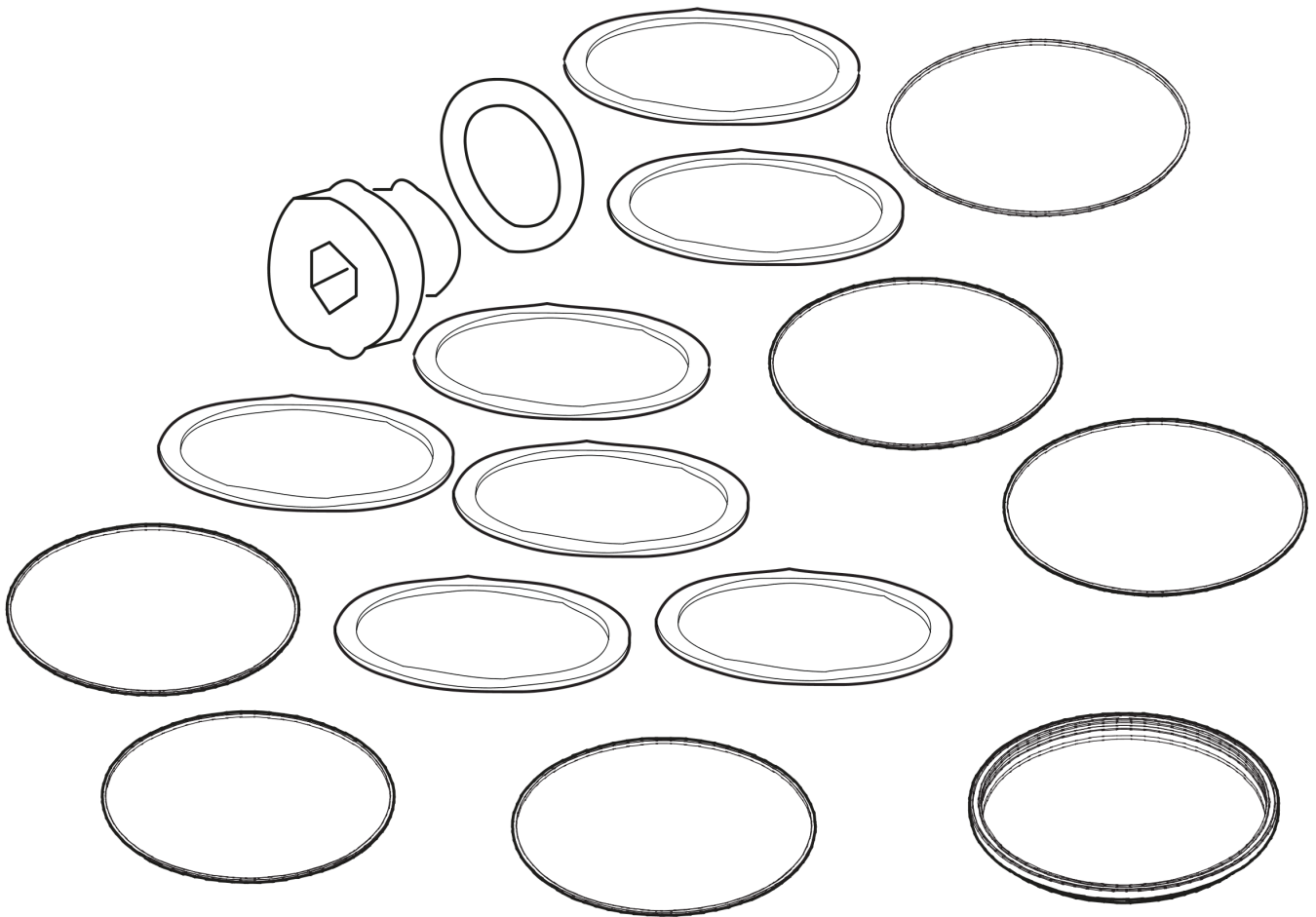
**Kits** Label kit

NO EXPLODED VIEW  
AVAILABLE  
FOR THIS BOM



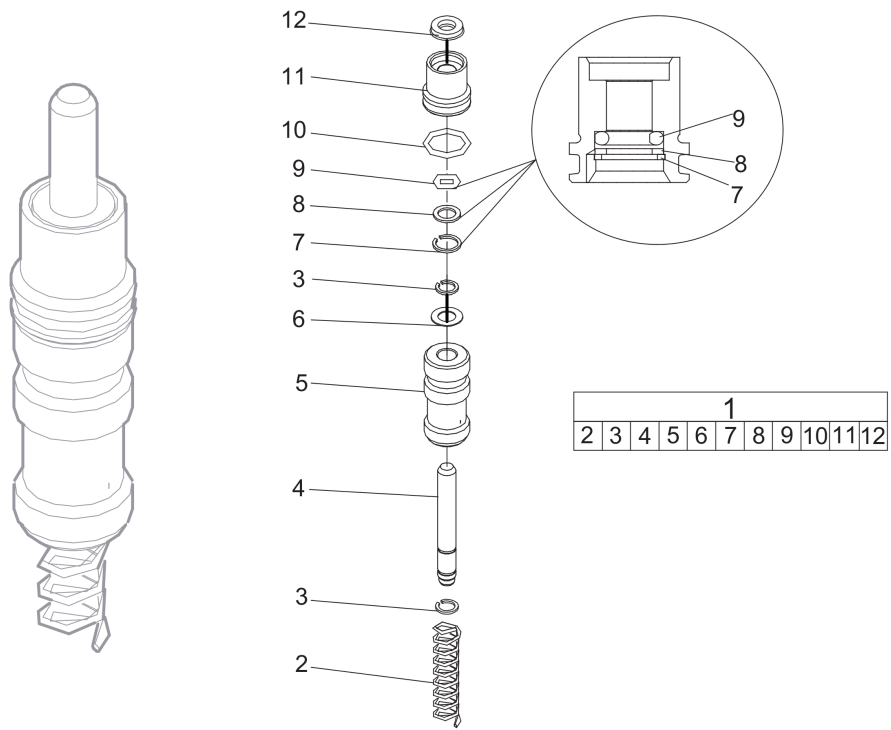
Item	Part No.	Name	Qty	L
1	3371821097	Label kit	1	
-	3371896061	Safety label	1	
-	3371896062	Pressure charge "N2"	1	A
-	0690110123	Decal symbols	2	B
-	3371897266	Product label	1	C
-	3371897306	Product label	1	D
-	3371896000	Noise level label	1	E
-	3371896049	Decal	1	F

**Kits** Seal kit



Item	Part No.	Name	Qty	L
1	3371820089	Seal kit	1	
-	3371814709	Seal ring	1	
-	3371813710	Protective cap M24 x 1.5 mm	1	
-	3371820702	O-ring Ø 0.94 x 0.06 in. Ø 24 x 1.5 mm	1	
-	3371820703	O-ring Ø 0.71 x 0.08 in. Ø 18 x 2 mm	4	
-	3371820704	O-ring Ø1.18 x 0.08 in. Ø 30 x 2 mm	1	
-	3371820705	O-ring Ø 1.26 x 0.08 in. Ø 32 x 2 mm	1	
-	3371820762	O-ring Ø 0.99 x 0.07 in. Ø 25.1 x 1.8 mm	1	
-	3371820740	Locking ring	1	
-	3371820176	Seal Ø 1.26 x 1.57 x 0.24 in. Ø 32 x 40 x 6 mm	1	
-	3371820708	Wiper Ø 1.26 x 1.77 x 0.28 x 0.39 in. Ø 32 x 45 x 7 x 10 mm	1	
-	3371805714	Seal ring 1/2"	2	
-	3371814732	Circlip	2	
-	3371820700	Shim PS 0.31 x 0.55 x 0.02 in. PS 8 x 14 x 0.5 mm	1	
-	3371814700	O-ring Ø 0.33 x 0.09 in. Ø 8.3 x 2.4 mm	1	
-	3371814702	O-ring Ø 0.64 x 0.09 in. Ø 16.3 x 2.4 mm	1	
-	3371805503	Seal Ø 0.71 x 0.55 x 0.14 x 0.20 in. Ø 18 x 14 x 3.5 x 5 mm	1	
-	3371814701	Back-up ring	1	
-	3371814712	Circlip	1	
-	3371817757	O-ring Ø 0.24 x 0.08 in. Ø 6 x 2 mm	1	
-	3371100084	O-ring Ø 0.31 x 0.08 in. Ø 8 x 2 mm	1	
-	3371820718	Seal ring	1	
-	3371820725	O-ring Ø 3.23 x 0.06 in. Ø 82 x 1.5 mm	1	
-	3371820726	O-ring Ø 0.63 x 0.06 in. Ø 16 x 1.5 mm	1	
-	3371814749	O-ring Ø 0.51 x 0.06 in. Ø 13 x 1.5 mm	1	
-	3371820167	Back-up washer Ø 1.29 x 1.77 x 0.10 in. Ø 32.7 x 45 x 2.5 mm	1	
-	3371820727	Locking ring	1	
-	3371815131	Nab	2	
-	3371821710	O-ring Ø 1.10 x 0.12 in. Ø 28 x 3 mm	1	
-	3371821709	Back-up ring	1	
-	3371821242	Air filter	1	

**Kits** Trigger valve kit



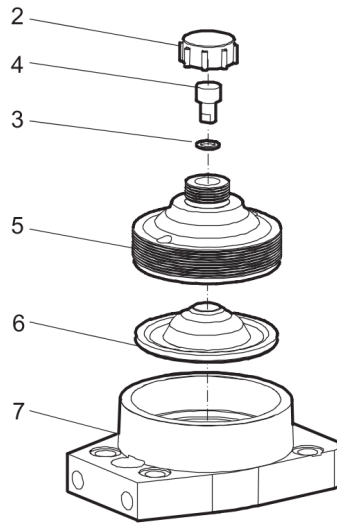
Item	Part No.	Name	Qty	L
1	3371820053	Trigger valve kit	1	
2	3371820137	Spring	1	
3	3371814732	Circlip	2	
4	3371820136	Trigger rod	1	
5	3371820108	Trigger spool	1	
6	3371820700	Shim PS 0.31 x 0.55 x 0.02 in. PS 8 x 14 x 0.5 mm	1	
7	3371814712	Circlip	1	
8	3371814701	Back-up ring	1	
9	3371814700	O-ring Ø 0.33 x 0.09 in. Ø 8.3 x 2.4 mm	1	
10	3371814702	O-ring Ø 0.64 x 0.09 in. Ø 16.3 x 2.4 mm	1	
11	3371814120	Packing gland	1	
12	3371805503	Seal Ø 0.71 x 0.55 x 0.14 x 0.20 in. Ø 18 x 14 x 3.5 x 5 mm	1	

Refer to Parts Online for the most up to date information. The printed information might be outdated.

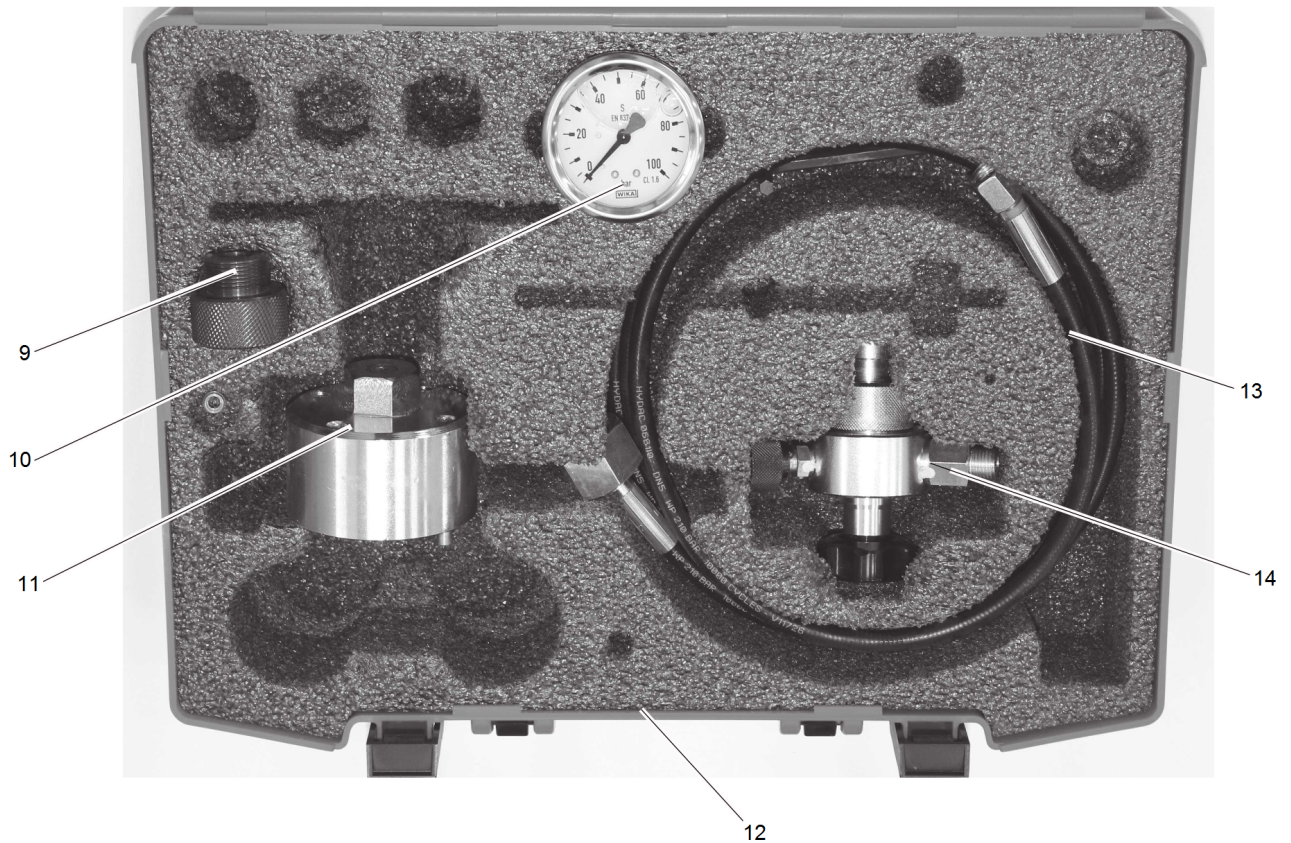
Thu Feb 13 12:57:17 UTC 2020

**Kits** Accumulator kit

			1			
2	3	4	5	6	7	



				8		
9	10	11	12	13	14	



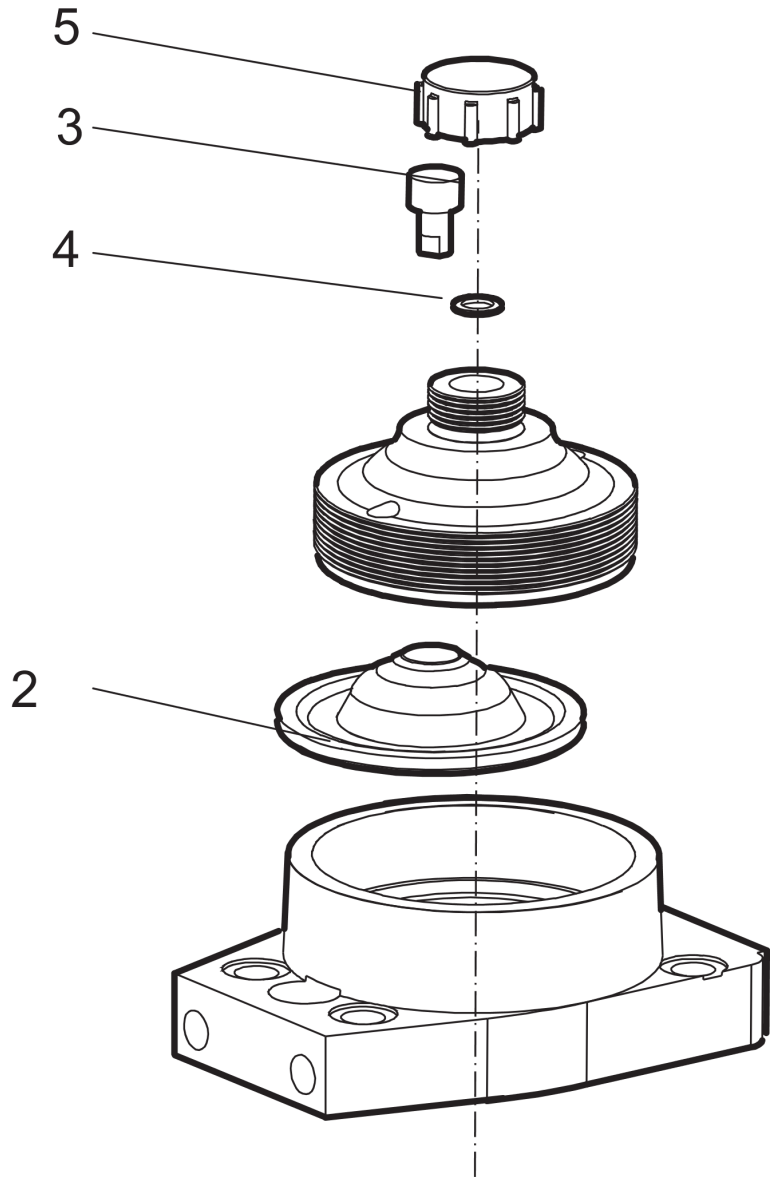
Refer to Parts Online for the most up to date information. The printed information might be outdated.

Thu Feb 13 12:57:18 UTC 2020

Item	Part No.	Name	Qty	L
1	3371814051	Accumulator kit	1	
2	3376117071	Protective cap	1	
3	3371814709	Seal ring	1	
4	3371813103	Charging screw	1	
5	3371814102	Accumulator cover	1	
6	3371814052	Diaphragm	1	
7	3371814104	Accumulator body	1	
8	3371801155	Filling device kit	1	
9	3371807780	Adapter	1	
10	-	Manometer	1	
11	3371807760	Tool for accumulator	1	
12	-	Suitcase	1	
13	3371807779	Charging hose	1	
14	3371807778	Charging device	1	
Not Shown	-	Adapters	1	

**Kits** 3310101845\_Accumulator repair kit

1				
2	3	4	5	





Item	Part No.	Name	Qty	L
1	3310101845	Accumulator repair kit	1	
2	3371814052	Diaphragm	1	
3	3371813103	Charging screw	1	
4	3371814709	Seal ring	1	
5	3376117071	Protective cap	1	

---

Refer to Parts Online for the most up to date information. The printed information might be outdated.

Thu Feb 13 12:57:19 UTC 2020

**AUTORYZOWANY PARTNER:**

**TECHBUD**

SILNIKI • MASZyny BUDOWLANE • DROGOWE • AGREGATY

**Techbud Sp. z o.o.**  
**ul. Gorzowska 12**  
**65-127 Zielona Góra**

**tel. +48 68 470 72 50**  
**fax +48 68 470 72 51**  
**www.techbud.eu**  
**techbud@techbud.eu**

Any unauthorized use or copying of the contents or any part thereof is prohibited.  
This applies in particular to trademarks, model denominations, part numbers, and  
drawings.

**Atlas Copco**

**www.atlascopco.com**